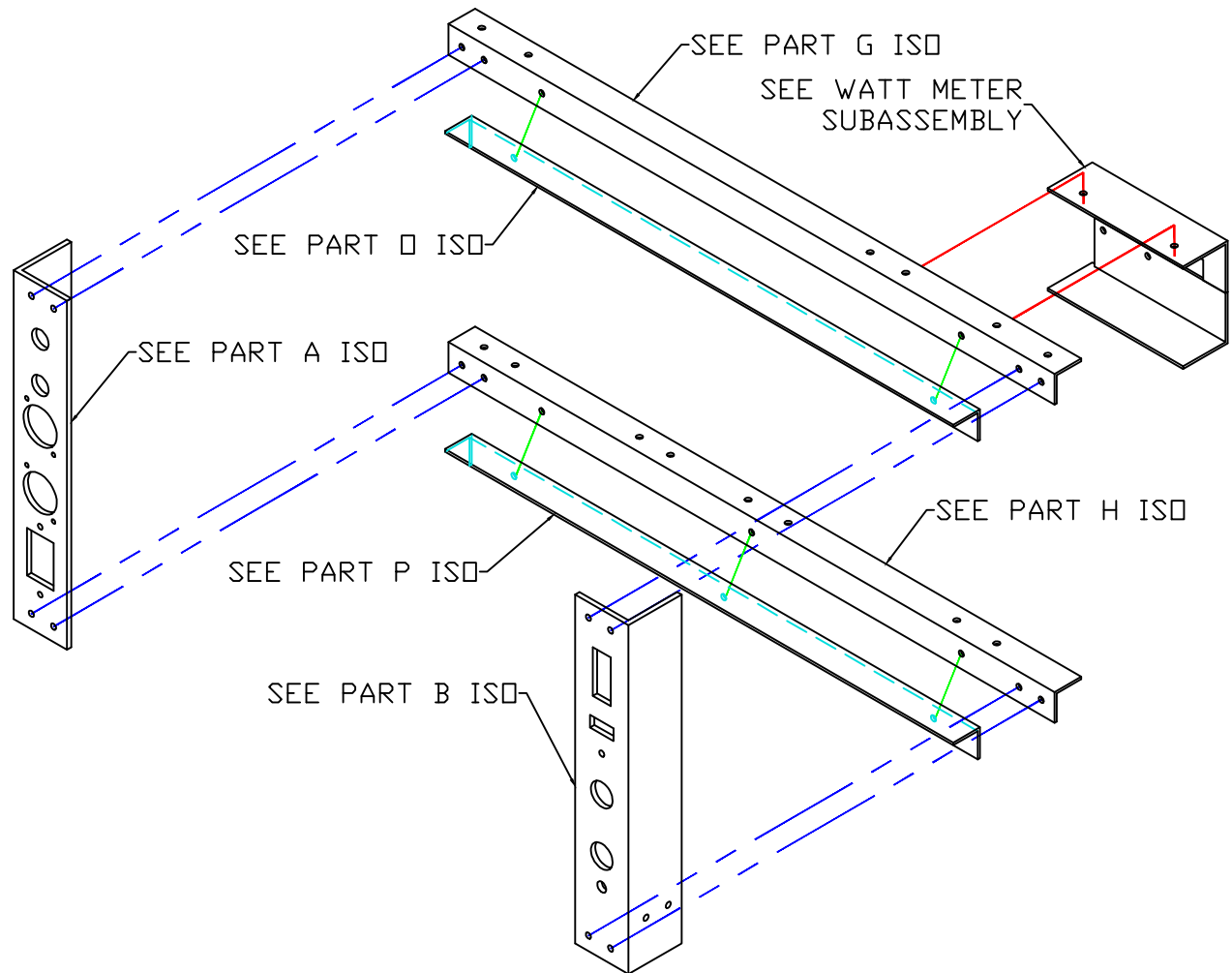


REVISIONS			
REV	DESCRIPTION	DATE	APPROVED



# AV4YA GO KIT FRAME

SIZE <b>A</b>	DRAWN BY: K SHEVLIN	DWG NO. <b>FRONT EXPLODED ASSEMBLY</b>	REV <b>A</b>
DO NOT SCALE	DATE	March 03, 2015	