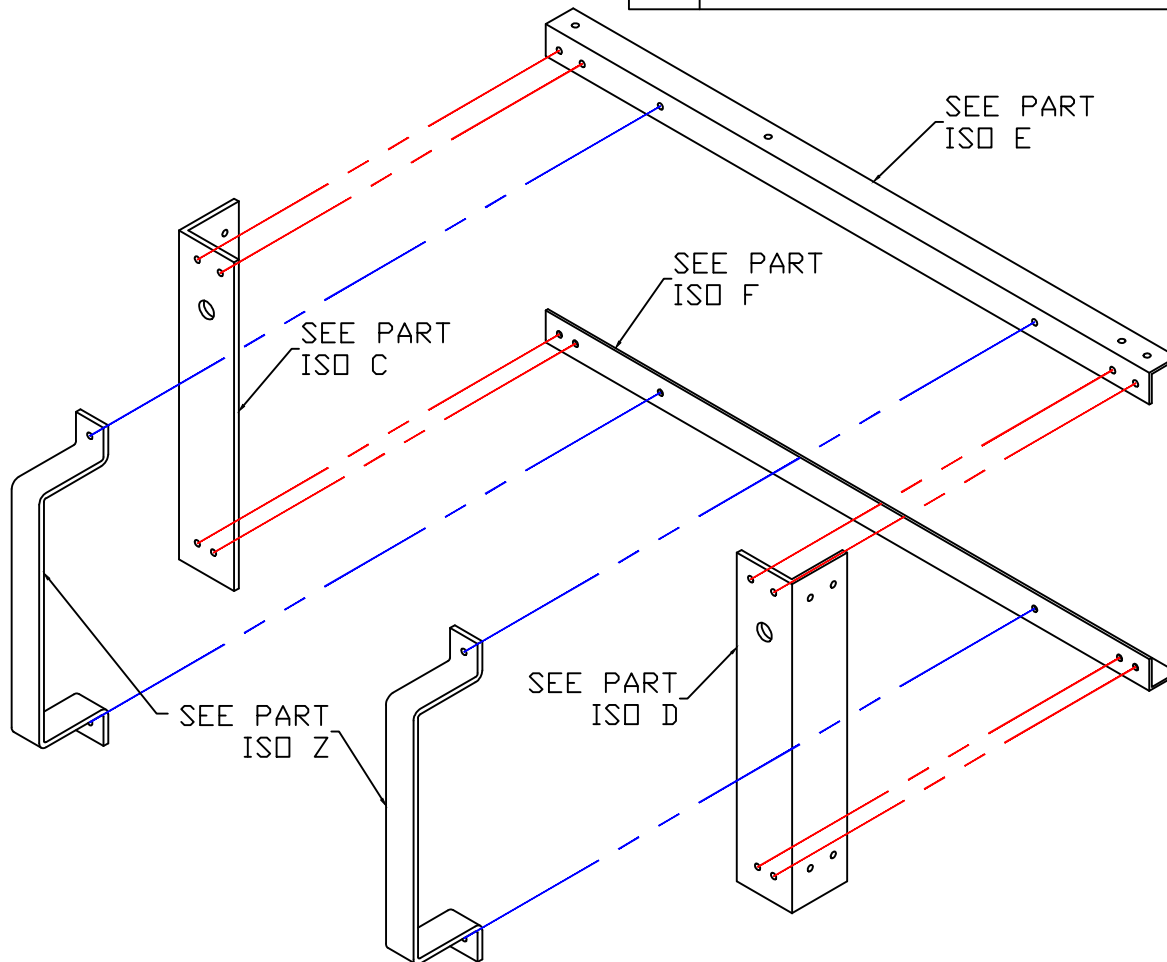


REVISIONS			
REV	DESCRIPTION	DATE	APPROVED



AV4YA GO KIT FRAME

SIZE A	DRAWN BY: K SHEVLIN	DWG NO. REAR EXPLODED ASSEMBLY	REV A
DO NOT SCALE	DATE	March 05, 2015	