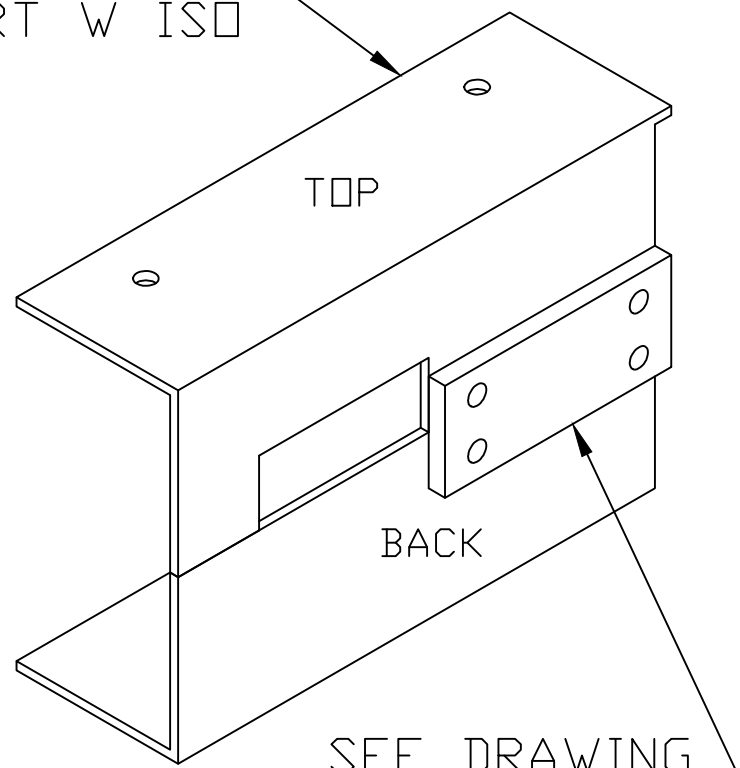
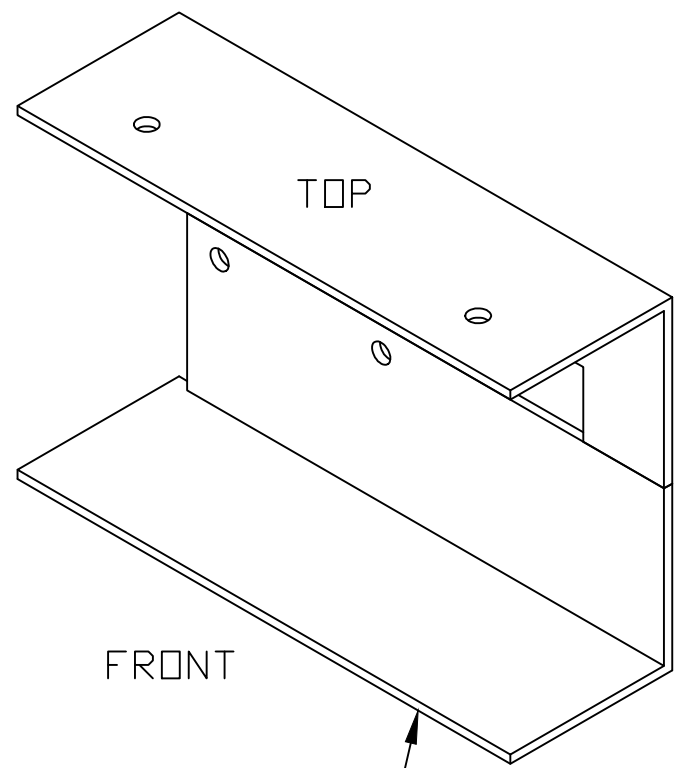


REVISIONS			
REV	DESCRIPTION	DATE	APPROVED

SEE DRAWING  
PART W ISO



SEE DRAWING  
PART Y



SEE DRAWING  
PART X ISO

## AV4YA GO KIT FRAME

SIZE <b>A</b>	DRAWN BY: K SHEVLIN	DWG NO. <b>WATT METER SUBASSEMBLY</b>	REV <b>A</b>
DO NOT SCALE	DATE	March 01, 2015	