

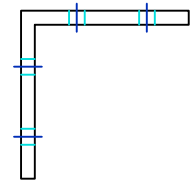
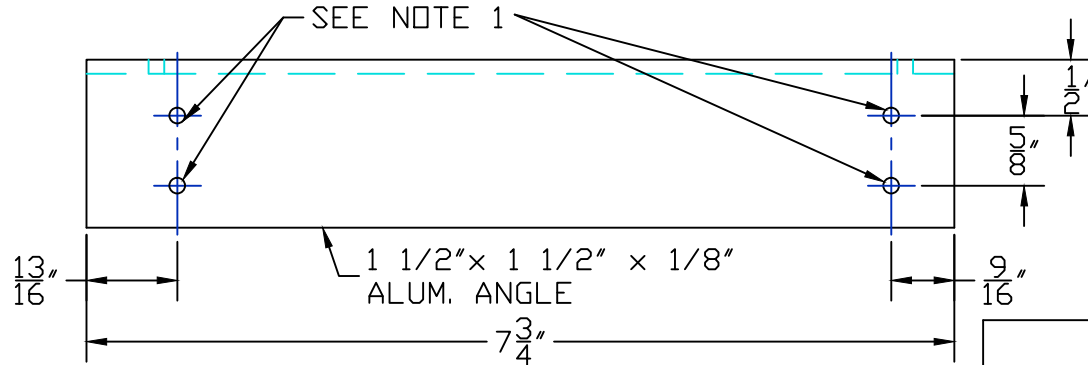
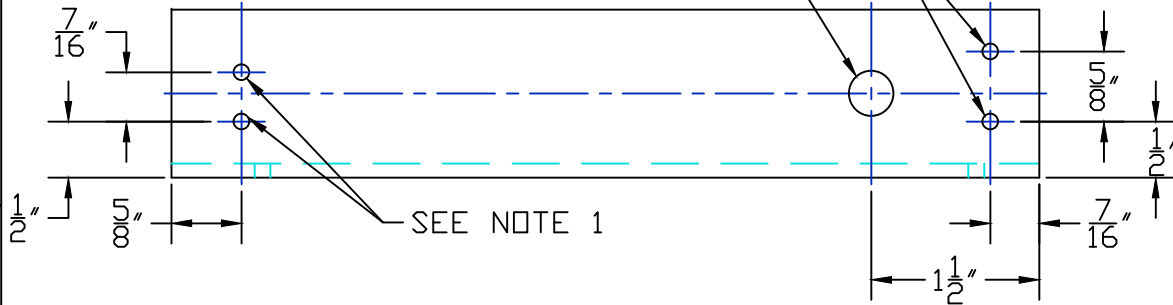
NOTES

1. HOLES ARE FOR 4 MM RIVETS. DRILL TO FIT.
2. REFER TO ACTUAL PARTS FOR VERIFICATION OF OPENINGS AND PATTERNS AS MANUFACTURING OPENINGS AND PATTERNS MAY CHANGE.

REVISIONS

REV	DESCRIPTION	DATE	APPROVED
-----	-------------	------	----------

SEE NOTE 1
 .40 DIA. HOLE



AV4YA GO KIT FRAME

SIZE A	DRAWN BY: K SHEVLIN	DWG NO. PART D	REV A
DO NOT SCALE	DATE	Feb 25, 2015	