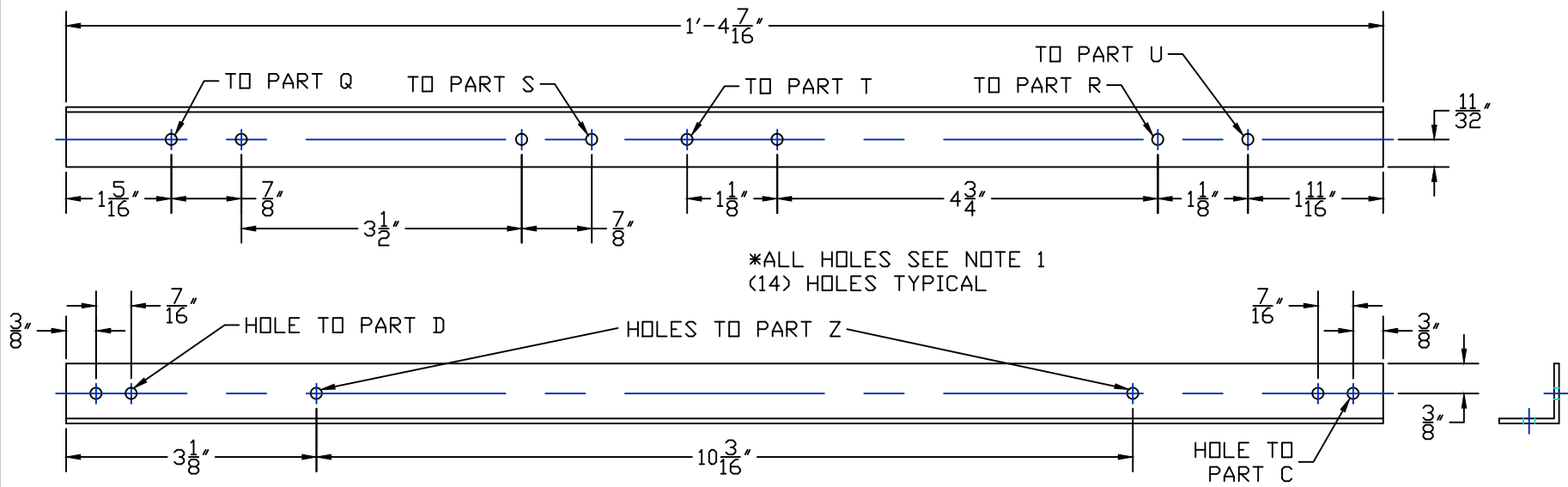


# NOTES

1. HOLES ARE FOR 4 MM RIVETS. DRILL TO FIT.
2. REFER TO ACTUAL PARTS FOR VERIFICATION OF OPENINGS AND PATTERNS AS MANUFACTURING OPENINGS AND PATTERNS MAY CHANGE.

REVISIONS			
REV	DESCRIPTION	DATE	APPROVED



<b>AV4YA GO KIT FRAME</b>			
SIZE <b>A</b>	DRAWN BY: K SHEVLIN	DWG NO. <b>PART F</b>	REV <b>A</b>
DO NOT SCALE	DATE	March 07, 2015	