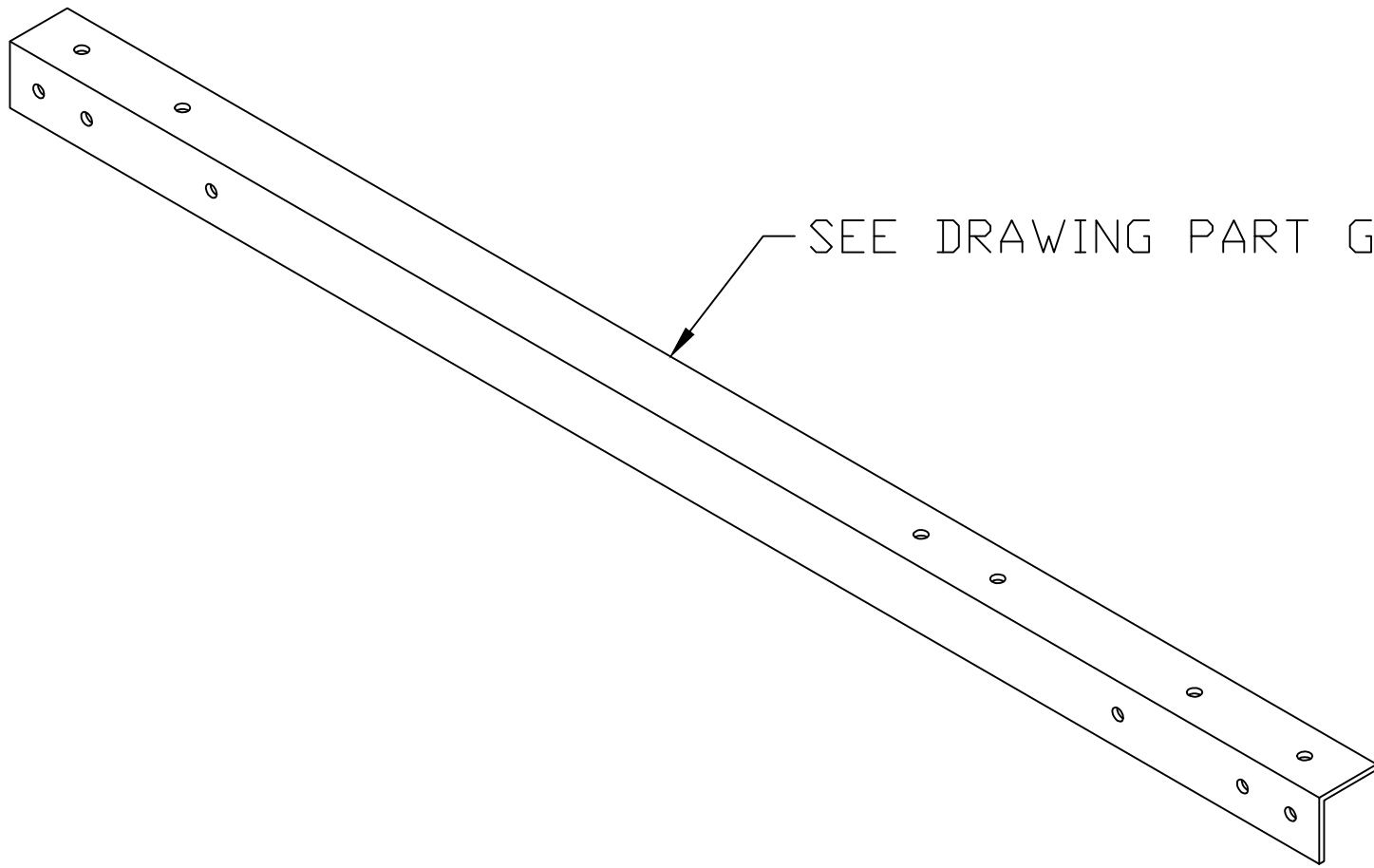


REVISIONS			
REV	DESCRIPTION	DATE	APPROVED



SEE DRAWING PART G

AV4YA GO KIT FRAME

SIZE A	DRAWN BY: K SHEVLIN	DWG NO. PART G ISO	REV A
DO NOT SCALE	DATE	March 03, 2015	