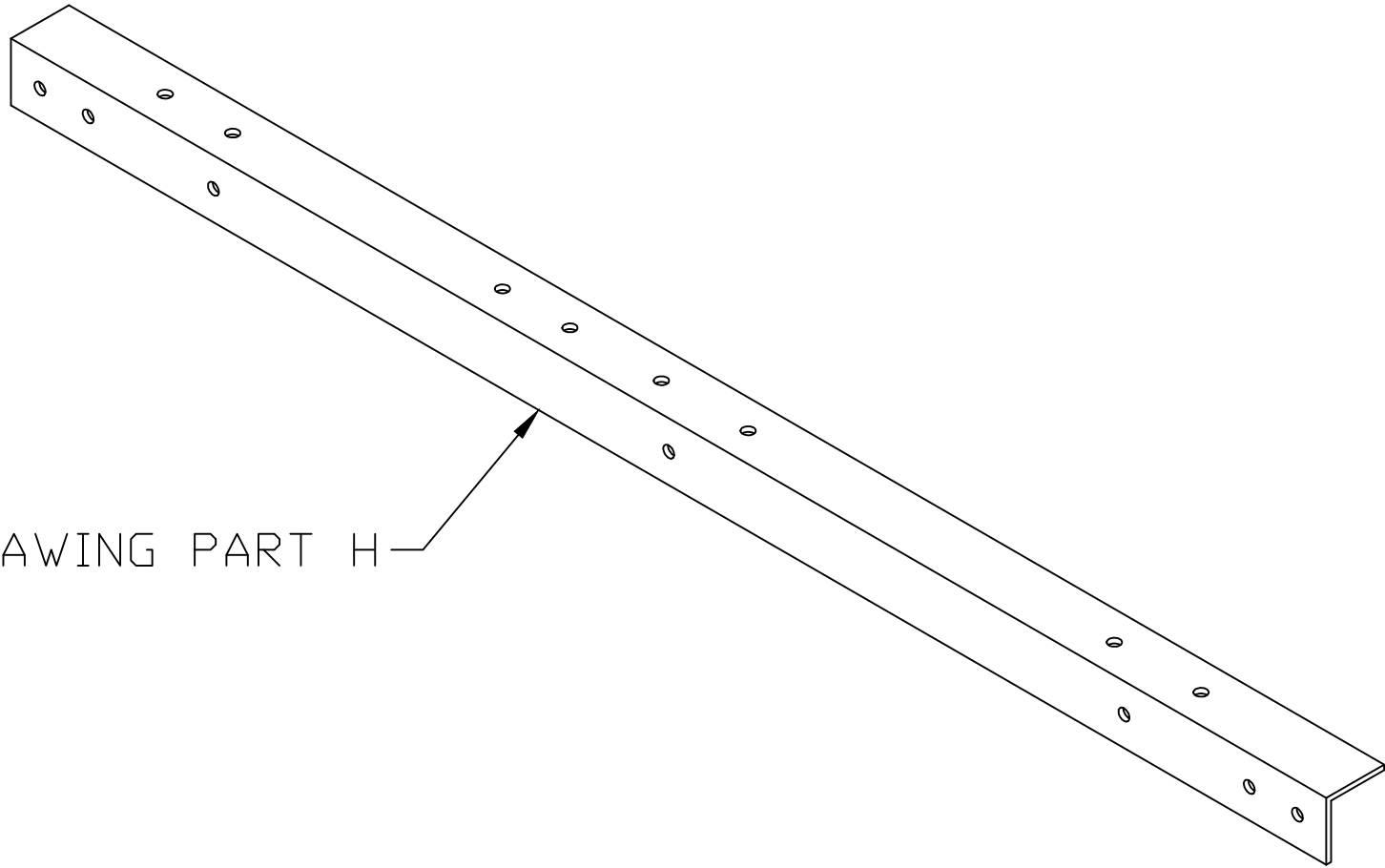
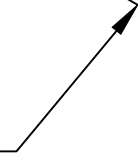


REVISIONS			
REV	DESCRIPTION	DATE	APPROVED



SEE DRAWING PART H



AV4YA GO KIT FRAME			
SIZE A	DRAWN BY: K SHEVLIN	DWG NO. PART H ISO	REV A
DO NOT SCALE	DATE	March 07, 2015	