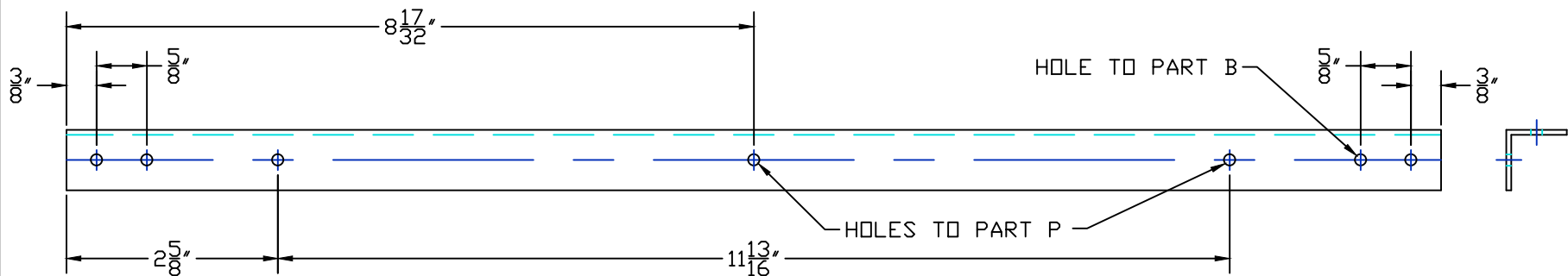
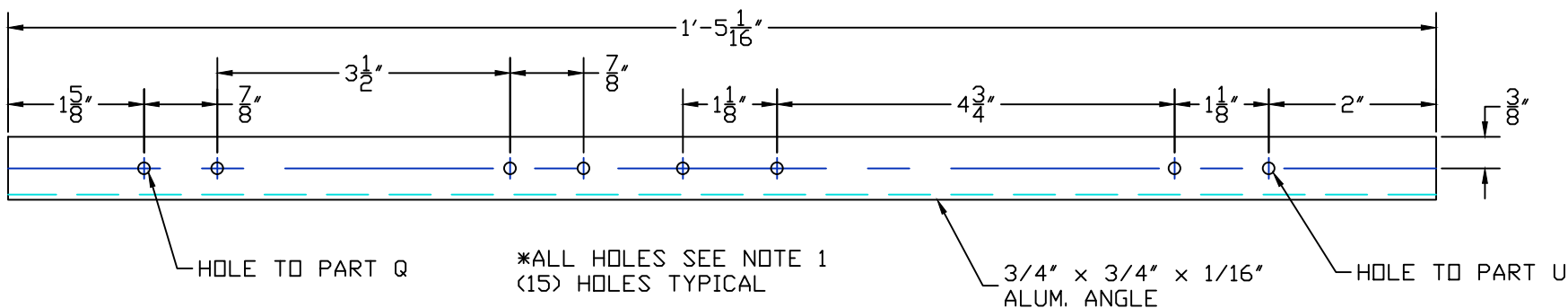


NOTES

1. HOLES ARE FOR 4 MM RIVETS. DRILL TO FIT.
2. REFER TO ACTUAL PARTS FOR VERIFICATION OF OPENINGS AND PATTERNS AS MANUFACTURING OPENINGS AND PATTERNS MAY CHANGE.

REVISIONS			
REV	DESCRIPTION	DATE	APPROVED



AV4YA GO KIT FRAME			
SIZE A	DRAWN BY: K SHEVLIN	DWG NO. PART H	REV A
DO NOT SCALE	DATE	March 06, 2015	