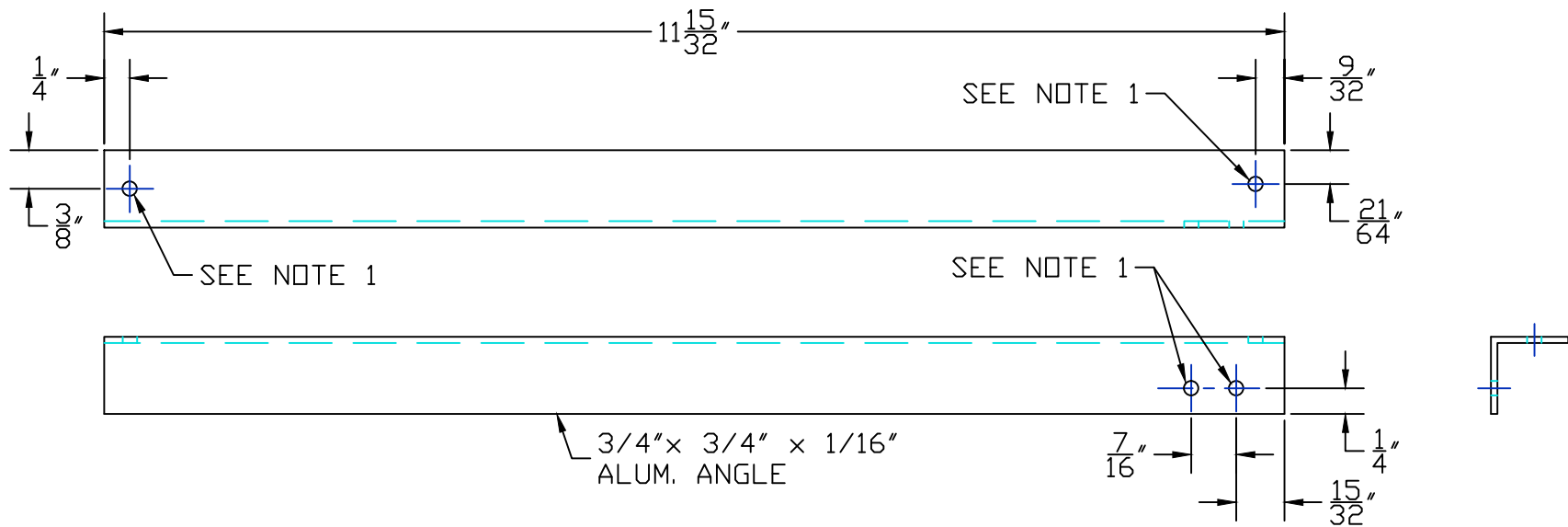


NOTES

1. HOLES ARE FOR 4 MM RIVETS. DRILL TO FIT. VERIFY HOLE CENTERS WITH SUBASSEMBLIES BEFORE DRILLING.

REVISIONS			
REV	DESCRIPTION	DATE	APPROVED



AV4YA GO KIT FRAME			
SIZE A	DRAWN BY: K SHEVLIN	DWG NO. PART K	REV A
DO NOT SCALE	DATE	March 10, 2015	