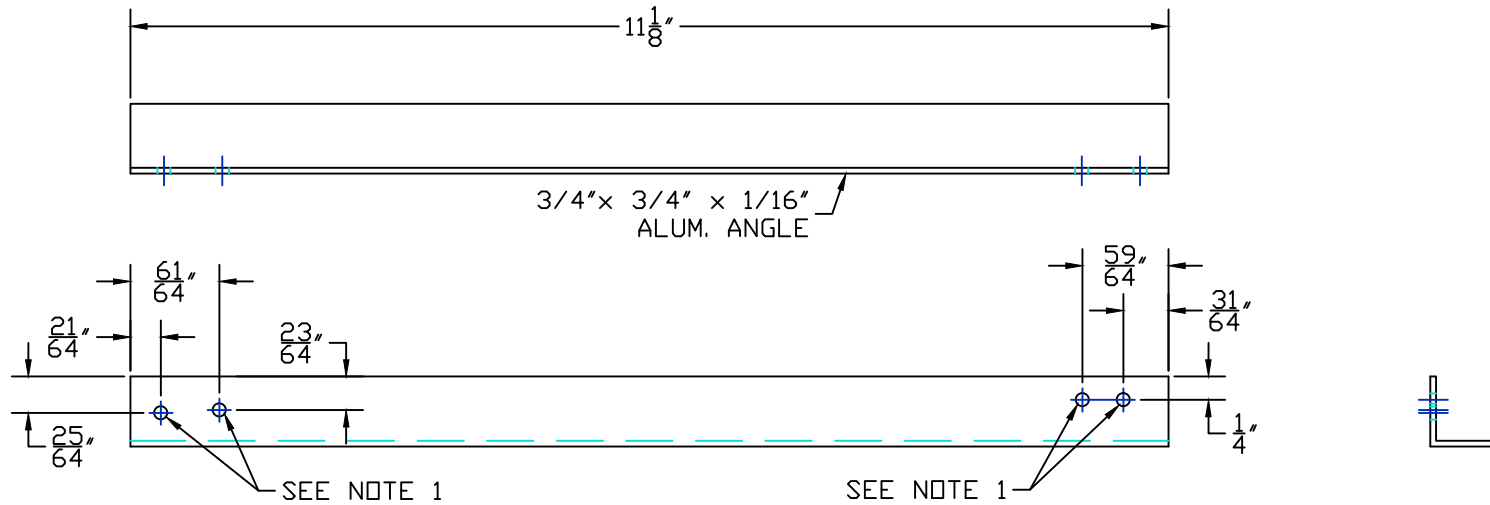


# NOTES

1. HOLES ARE FOR 4 MM RIVETS. DRILL TO FIT.

REVISIONS			
REV	DESCRIPTION	DATE	APPROVED



## AV4YA GO KIT FRAME

SIZE <b>A</b>	DRAWN BY: K SHEVLIN	DWG NO. <b>PART L</b>	REV <b>A</b>
DO NOT SCALE	DATE	Feb 23, 2015	