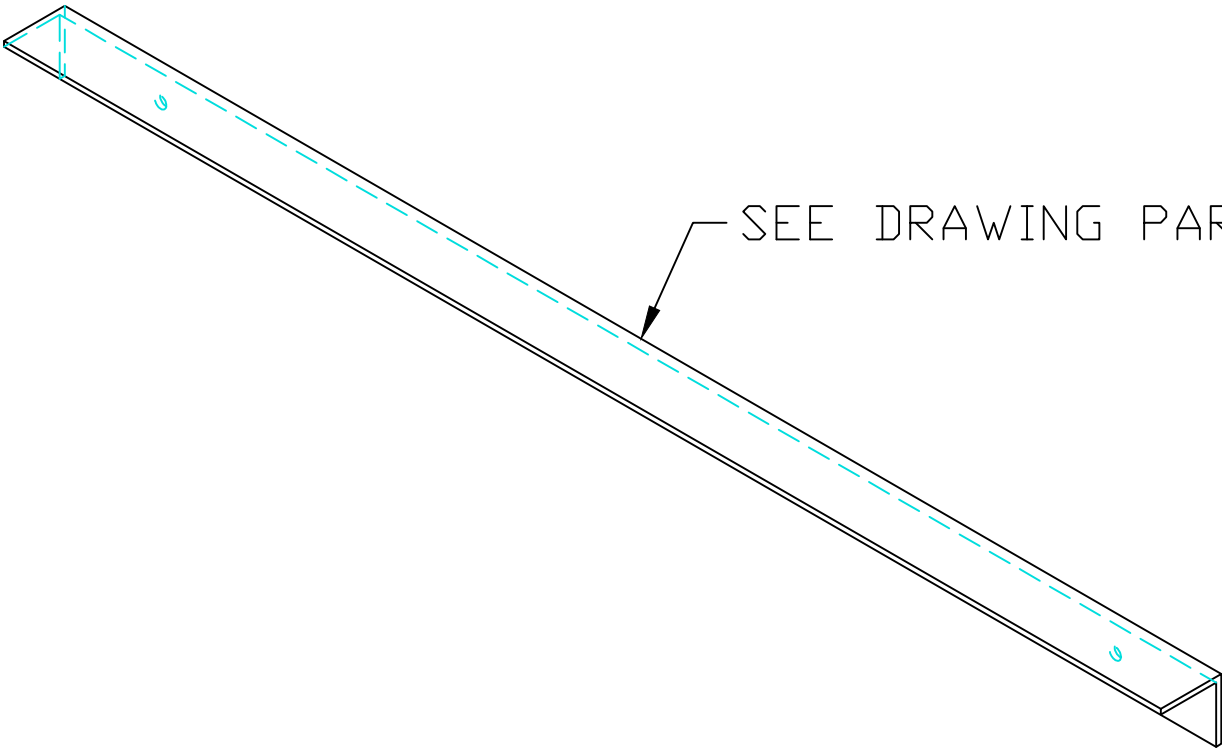




REVISIONS

| REV | DESCRIPTION | DATE | APPROVED |
|-----|-------------|------|----------|
|-----|-------------|------|----------|



SEE DRAWING PART O



# AV4YA GO KIT FRAME

|                  |                        |                              |                 |
|------------------|------------------------|------------------------------|-----------------|
| SIZE<br><b>A</b> | DRAWN BY:<br>K SHEVLIN | DWG NO.<br><b>PART O ISO</b> | REV<br><b>A</b> |
| DO NOT SCALE     | DATE                   | March 02, 2015               |                 |