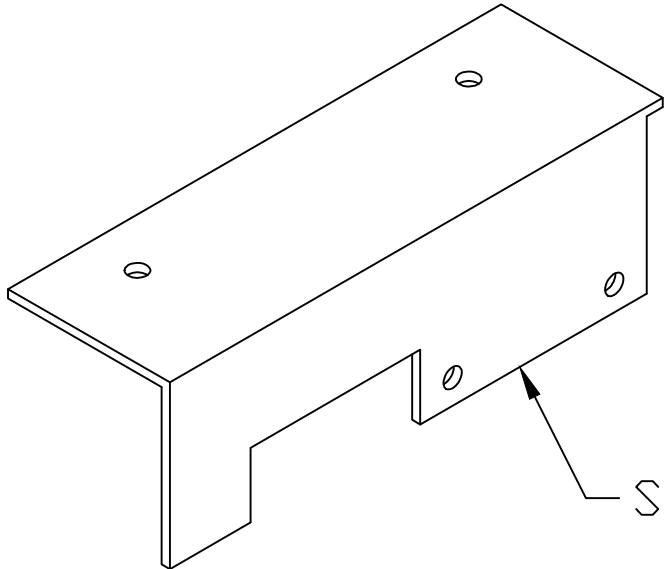




REVISIONS

REV	DESCRIPTION	DATE	APPROVED
-----	-------------	------	----------



SEE DRAWING PART W

AV4YA GO KIT FRAME

SIZE A	DRAWN BY: K SHEVLIN	DWG NO. PART W ISO	REV A
DO NOT SCALE	DATE	March 01, 2015	

